

CONTROLLER+READER

Networking & Stand-alone Controller

Networking Reader

AR-757H

EM125KHz Mifare 13.56MHz

- 11 sets of time zone, different time zone for each user
- Up to 120 holidays that can be set in a year starting from the editing date
- TTL serial supported for connecting external printer, LED, etc.
- Door bell button offered
- Built-in anti-tamper function
- Built-in watchdog to prevent the system from halting
- An extra WG port which allows connecting to another WG reader (for exit or anti-pass-back)
- 3,000 Event logs preserved up to 10 years
- Easily integrated with SOYAL or other access control systems



2 Connected With PC
-For management purpose

3 Connected With Controller
-For up to 15,000 Users.



SOYAL®

FC CE
SOR MA
MADE IN TAIWAN

CONTROLLER + READER

Networking & Stand-alone Controller /
Networking Reader

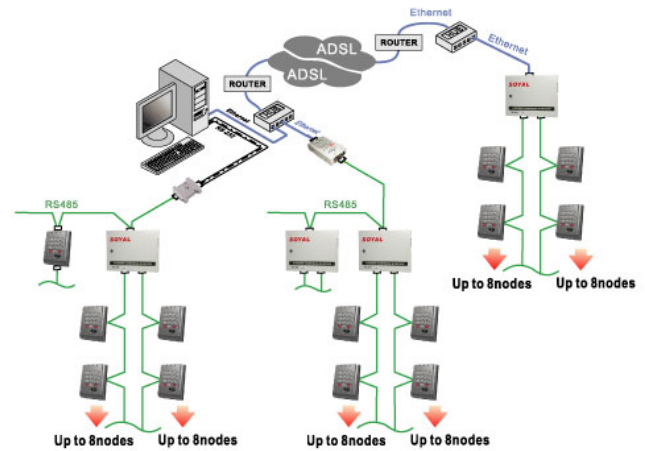
AR-757H

Specification		
RF Frequency	EM 125KHz	13.56MHz
Compliance (Option)	--	ISO14443A ISO15693 ISO14443A/B+15693
Proximity Reading Range	10-18cm (125KHz)	3-8cm (13.56MHz)
Voltage	9-24VDC	
Power Consumption	< 3W	
Communication Interface	RS-485	
Baud Rate	9600 bps (N, 8, 1)	
Operation Temperature	-20°C to +75°C	
DI	Egress Button / Door Sensor	
DO	Relay Output	Door Relay / Alarm Relay
	Trasistor Output	Card Present / Duress
Door Relay Time	0.1-600 sec.	
Alarm Relay Time	0.1-600 sec.	
Tamper Resist. Switch	Limit Switch (Form C)	
Aux. WG Port	WG 26/34, ABA-II	
Door Bell	Yes	
Serial Out	TTL (4800bps, N, 8, 1) Alarm relay	
Indicator	3 LEDs and a beeper	
Real Time Clock	Yes	
Color	Black / Dark Gray / Silver	
Dimension (mm)	126(H)*91(W)*32(H)	
N.Weight (g)	155±10	
Housing Material	ABS	
Weatherproof	IP54	

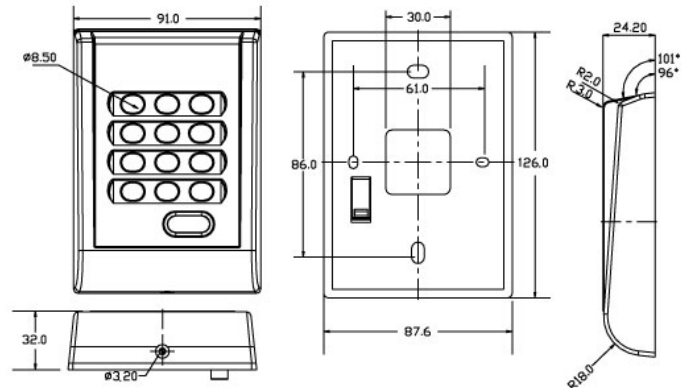


- Stand-Alone**
- Networking**
- 125kHz**
- Mifare**
- Weatherproof**

System Architecture



Dimension



M4 / M8 ✓ Stand-alone ✓ Networking ✓ Event Log
 User Capacity ----- 1,024
 Anti-pass-back ----- 1,024
 Lift Control ----- 32 / 1,024

M6 ✓ Stand-alone
 User Capacity ----- 65536

Access Mode

M4 ----- Card only, Card+PIN, Address+PIN
M6* ----- Card only, Card+PIN, PIN only
M8 ----- Card only, Card+PIN, PIN only

Product Selection and Part Number (How To Order)

Item No. AR-7XX

Housing	RF Frequency	RTC	Communication	Waterproof	Color	Language
H=Controller+Reader U=Reader K=Keypad P=Programmer W=Card holder D=Lock	A=Don't Care(TTL) B=125KHz C=13.56MHz (Mifare UID only) D=13.56MHz(MF1) +Purse E=13.56MHz(SL1) F=13.56(ISO 15693)	R=Built-in RTC X=Without RTC	0=None 1=RS485 2=RS232 3=Wiegand 4=ABA 5=Ethernet 6=Blue Tooth 7=GSM 8=USB 9=1394	N=No 1=Weatherproof 2=Waterproof	1=Silver 2=Gray 3=Blue 4=Black 5=Ivory 6=OEM	0=OEM 1=English/Chines (STD) 2=Chinese