

CONTROLLER / READER

**Stand-Alone Support /
Networking support**

AR-721H

EM125kHz Mifare 13.56MHz

- 1 bi-color LED and 1 beeper for identification.
- Built-in anti-tamper function.
- TTL serial output for various application.
- Built-in watchdog to prevent the halting.
- WG port support for anti-pass-back.
- User capacity: 1,024, event logs: 1,200.
- 2 sets of auto-open zone editing in stand-alone.
- 3 modes for selecting, M4, M6 and M8.
- 3 access modes: card only, card or pin, card and pin.
- 11 sets of time zone for various accessing.
- SOYAL software support for networking.
- Easily integrated with SOYAL or others access control system.



2 **Connected With PC**
-For management purpose

3 **Connected With Controller**
-For up to 15,000 Users.

Multi-Functions

1 **Stand-alone Operation**
-For Door Access Management Purpose

SOYAL®

FC CE
SOR MA

MADE IN TAIWAN

Specification		
RF Frequency	125KHz	13.56MHz
Compliance (Option)	--	<input type="checkbox"/> ISO 14443A <input type="checkbox"/> ISO 15693 <input type="checkbox"/> ISO 14443A/B + 15693
Power Consumption	12VDC / 100mA	< 3W
Proximity Reading Range	10-18cm (125KHz)	3-8 cm (13.56MHz)
Voltage	9-16VDC	
Communication Interface	RS-485	
Baud Rate	9600 bps (N, 8, 1)	
Operation Temperature	-20°C to +75°C	
DI Input	Egress Button / Door Sensor	
Relay Output	Door Relay	
Trasistor Output	Card Present / Duress	
Door Relay Time	0-600 sec.	
Alarm Relay Time	0-600 sec.	
Tamper Resist. Switch	Switch (Form C)	
Aux. WG Port	WG 26/34, ABA-II,	
Serial Out	TTL (4800bps, N, 8, 1) (shared with alarm Output)	
Indicator	1bi-color LED and 1 beeper	
Real Time Clock	Yes	
Color	Gray / Silver	
Dimension (mm)	111(H)*77(W)*26(H)	
N. Weight (g)	100±10	
Housing Material	ABS	



Stand-Alone

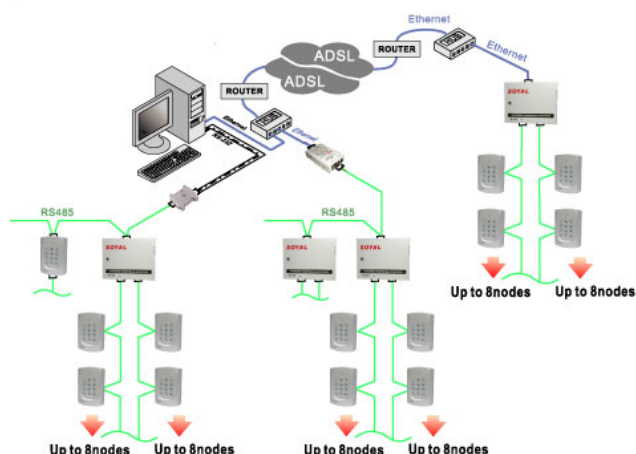
Networking

125kHz

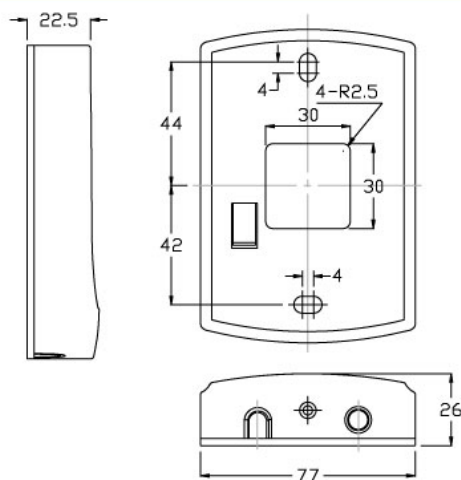
Mifare

Weatherproof

System Architecture



Dimension



M4 / M8 ✓ Stand-alone ✓ Networking ✓ Event Log

User Capacity ----- 1,024
 Anti-pass-back ----- 1,024
 Lift Control ----- 32 / 1,024

M6 ✓ Stand-alone

User Capacity ----- 65536

Access Mode

M4 ----- Card only, Card+PIN, Address+PIN

M6* ----- Card only, Card+PIN, PIN only

M8 ----- Card only, Card+PIN, PIN only

Product Selection and Part Number (How To Order)

Item No. AR-7XX

Housing	RF Frequency	RTC	Communication	Waterproof	Color	Language
H=Controller+Reader U=Reader K=Keypad P=Programmer W=Card holder D=Lock	A=Don't Care(TTL) B=125KHz C=13.56MHz (Mifare UID only) D=13.56MHz(MF1) +Purse E=13.56MHz(SL1) F=13.56(ISO 15693)	R=Built-in RTC X=Without RTC	0=None 1=RS485 2=RS232 3=Wiegand 4=ABA 5=Ethernet 6=Blue Tooth 7=GSM 8=USB 9=1394	N=No 1=Weatherproof 2=Waterproof	1=Silver 2=Gray 3=Blue 4=Black 5=Ivory 6=OEM	0=OEM 1=English/Chines (STD) 2=Chinese